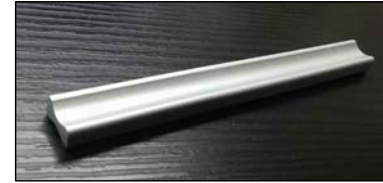


MODEL NO:
VF43036WB
VF43036CG
VF43036WH



Length:28"

ELEGANT
FURNITURE & LIGHTING™

500-550 E. Erie Avenue
Philadelphia PA 19134
1-888-388-3390

PROJECT:

SPEC NO:

MODEL NO:VF43036

QUANTITY:

DRAWING APPROVAL STATUS

- APPROVED
- APPROVED AS NOTED
- NOT APPROVED,REVISE AS NOTED

AUTHORIZED SIGNATURE

DATE:

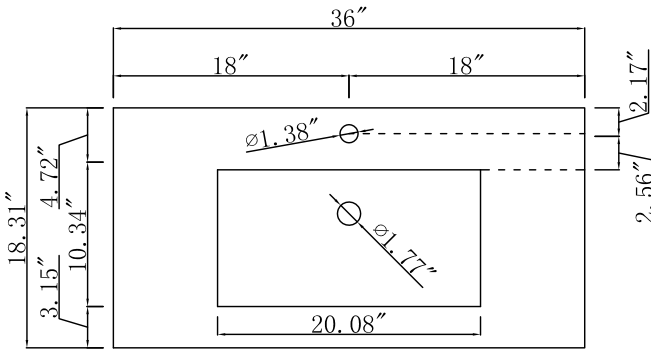
FOR PROPOSAL ONLY. ALL DIMENSIONS TO BE VERIFIED

Drawing Date:2019-5-7

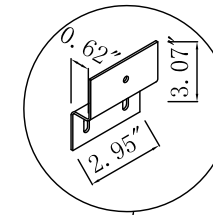
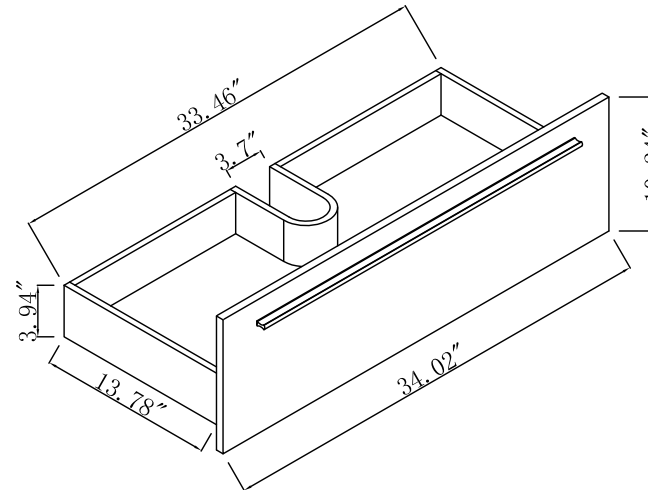
REVISIONS

- ①
- ②
- ③
- ④
- ⑤

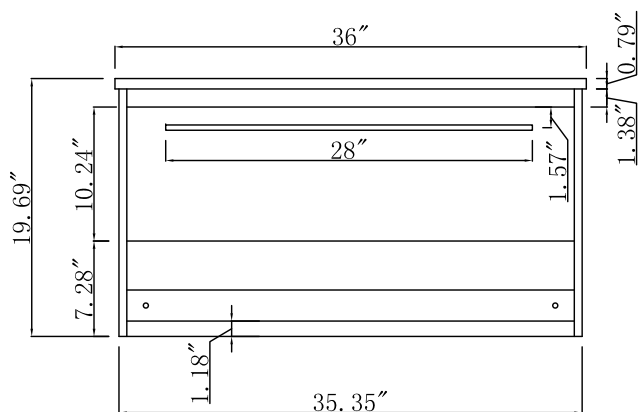
DWG. NO.



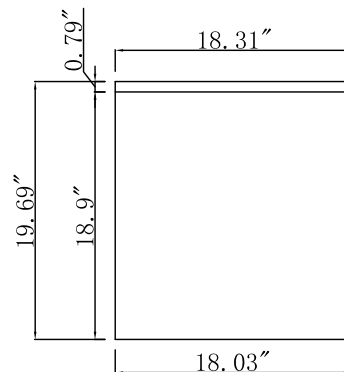
Top view



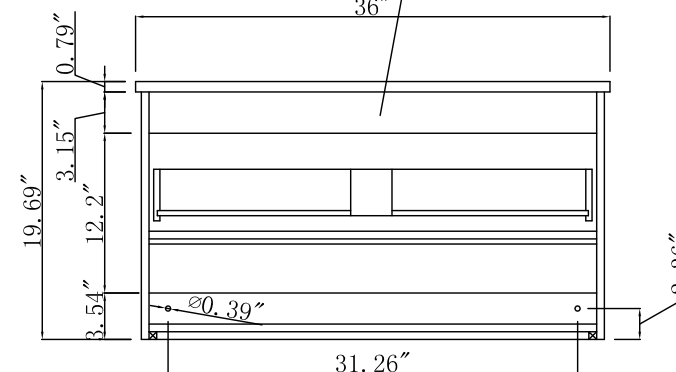
Metal bracket



Front view

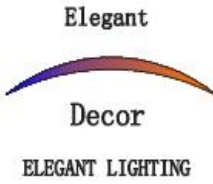


Side view



Back view

Model #	VF43036CG	"Number of Doors "	NO	"Table: seating capacity"	1	"drawer glide extension"	YES	"cabinet interior width"	N/A
Finish	Concete Grey	"Finished Back "	NO	"upholstery color"	N/A	"drawer glide material"	Metal	"cabinet interior depth"	N/A
"Hand Painted"	NO	"Hardware finish "	Alumina	"upholstery pattern"	N/A	"drawer dividers"	NO	"leg height"	N/A
"Mirror type"	N/A	"Assembly "	YES	"cushion material"	N/A	"Drawer Interior finish"	Concete Grey	"leg width"	N/A
"Beveled glass"	N/A	"Product Width "	36"	"base finish"	Concete Grey	"Ball Bearing Glides"	NO	"leg depth"	N/A
"Frame material "	MDF	"Product Depth"	18.31"	"powder coated finish"	N/A	"soft close drawer glides"	YES	"gloss finish"	NO
"Solid wood construction "	N/A	"Product Height"	19.69"	"base material"	MDF	"Number of cabinets"	N/A	"stackable"	NO
"Drawers Included "	YES	"Package LENGTH"	40.2"	"top material"	Porcelain	"shelf height"	N/A	"leg design"	N/A
"Number of Drawers"	1	"Packaged WIDTH"	25.6"	"wood species"	MDF	"shelf width"	N/A	"Armoires: ring slots"	N/A
"Joinery Type "	Cam-lock	"Packaged HEIGHT"	25.2"	"tip over restraint strap "	N/A	"shelf depth"	N/A	"Armoires: hooks"	N/A
"Drawer railing "	Metal	"Package Weight(lbs) "	95	"shape of top"	Rectangle	"Shelf thickness"	N/A	"armoires: mirror dimensions "	N/A
"Drawer Width"	34.02"	"Product Weight(lbs)"	82	"lift top"	NO	"Any certification?" (CARB/TSCA VI)	YES	"door thickness"	N/A
"Drawer Depth "	14.37"	"Shipping Type"	Small Parcel	"shelf material"	N/A	"California Proposition 65 warning required"	YES	"false drawers?"	N/A
"Drawer Height "	10.24"	"table top width"	18.31"	"adjustable shelves"	NO	"Drawers Interior Height"	3.94"	"sink type "	Porcelain
"Shelves "	NO	"table top finish"	White	"Drawer Handle designs"	Bar Pulls	"Drawer Interior Width"	33.46"	"# of faucet holes "	1
"Number of Shelves "	NO	"glass top tempered"	NO	"saftey stop"	YES	"Drawer Interior Depth"	13.78		
"Doors included "	NO	"table top maximum weight "	66 LBS	"felt lined drawers"	N/A	"cabinet interior height"	N/A		

DWG. NO.:	
MODEL NO.:	
ALTERATIONS	
①	
②	
③	
④	
FOR PROPOSAL ONLY ALL DIMENSIONS TO BE VERIFIED	
SCALE:	
DWG. BY:	
CHECKED BY:	
DATE:	
PROJECT:	
Qty:	
Color:	
DRAWING TITLE:	
FINISH:	
 <p>Elegant Decor ELEGANT LIGHTING</p>	